



ACCESSBUILDER 600 AND 700 EXPANSION MODULES

Introduction

This instruction sheet describes how to install an expansion module into either the AccessBuilder Remote Office 600 or 700 units. The modules that can be installed are:

- AccessBuilder Remote Office 600 BRI Module (S interface) – 3C400051
- AccessBuilder Remote Office 600 BRI Module (U interface) – 3C400050
- AccessBuilder Remote Office 600 SPN Module – 3C400055
- AccessBuilder Remote Office 700 Interface Module – 3C400060

For full installation and operating instructions of the unit, refer to the *AccessBuilder Remote Office 600 and 700 User Guide*.

Safety Information

Read the following safety information before installing the expansion module.



Isolate the electrical mains system supply before commencing installation.

Ensure all on/off power switches are set to their 'OFF' positions.

Retain the blanking plate removed to fit the expansion module. If the expansion module is removed at any time and another expansion card not fitted, you must refit the blanking plate to aid the circulation of cooling air and to prevent dust and debris entering the case of the unit.

Installing an Expansion Module

Installation and removal of the module must be carried out by qualified personnel only.

AccessBuilder Remote Office 600 and 700

- 1 Disconnect all power to the unit.
- 2 Remove all connecting cables to the LAN, WAN, MANAGER and ISDN ports.
- 3 Remove the six cover retaining screws from the base of the unit and two screws from the rear panel. Keep the screws in a safe place for refitting later.
- 4 Whilst holding the unit's front panel, gently slide the cover backwards until it is completely free from the unit.

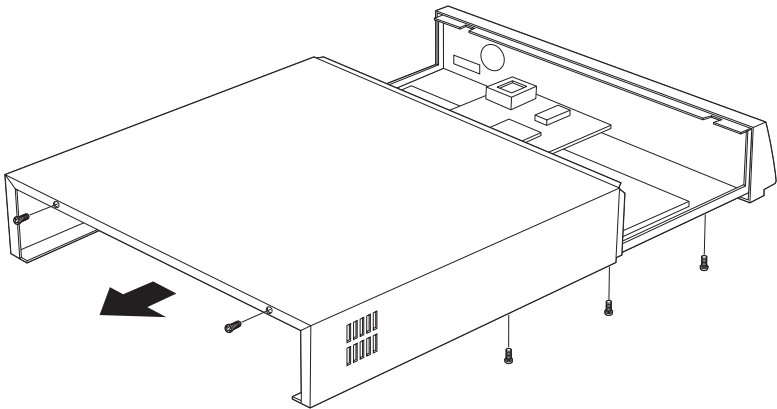


Figure 0-1 Removing The Cover Screws And Cover.

- 5 If the unit is not fitted with an expansion module, remove the blanking plate retaining screw and plate, then proceed to step 7.
- 6 If the unit is fitted with an existing expansion module, remove the blanking cover plate retaining screw and plate.

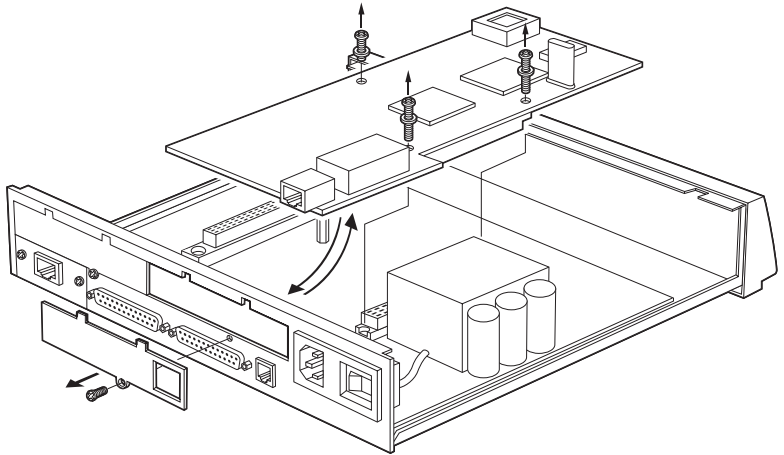


Figure 0-2 Fitting An Alternative Expansion Module

- 7** Remove the three expansion module retaining screws from the support pillars on the motherboard. Gently disconnect the expansion module from the multi-pin socket on the motherboard and remove the module.
- 8** Install the alternative expansion module by carefully engaging the multi-pin plug on the expansion module with the receiving socket on the motherboard.
- 9** Refit the expansion module's retaining screws taking particular care to refit the isolating washers.
- 10** Refit the cover plate and cover plate retaining screw.
- 11** Refit the unit's cover and cover retaining screws.
- 12** Reconnect all cables and restore the electrical mains system supply.

AccessBuilder Remote Office 600 FM and 700 FM

- 1 Disconnect all power to the unit.
- 2 Remove all connecting cables to the LAN, WAN, MANAGER and ISDN ports.
- 3 Remove the fifteen cover retaining screws from the base of the unit. Keep the screws in a safe place for refitting later.

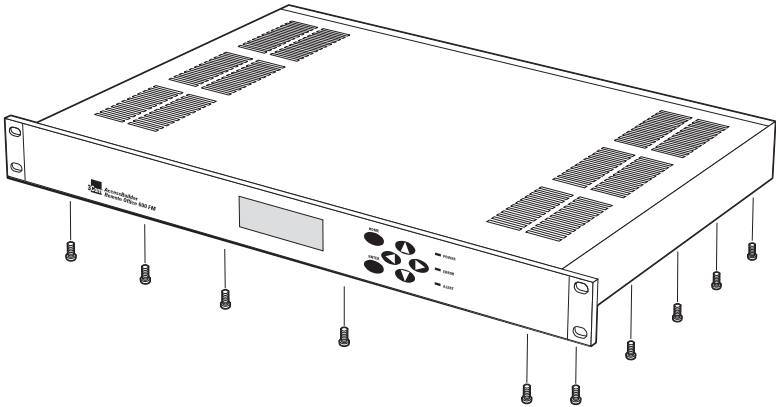


Figure 0-3 Removing The Cover Screws

Follow steps 4 to 12 as for the AccessBuilder Remote Office 600 and 700 to complete the installation.

Important Notes

If you are installing the AccessBuilder Remote Office 700 Interface Module in either the AccessBuilder Remote Office 600 or 700, you must ensure that no other expansion module is installed in the unit. Only a single AccessBuilder Remote Office 700 Interface Module can be installed. You must also ensure that the unit is running version 5.02 or later of the system software.

See the AccessBuilder Remote Office 600 and 700 User Guide for details of any cables you may require.