

PathBuilder S24x, 26x, and 27x Switch Rack Mount Instructions

Overview

Introduction

You can install the PathBuilder S24x, 26x, and 27x switch in a standard Electronics Industry Association (EIA) 19-inch equipment rack. These instructions describe how to set up and install the EIA rackmount assembly for the PathBuilder switch.

Contents of the PathBuilder switch EIA Rackmount Kit

The PathBuilder switch EIA Rackmount kit contains the following components:

- One Mounting shelf
- Two adjustable Rear Mounting brackets for rear rail attachment
- Four Phillips 10-32 x .38 long screws with integral lock washers
- Eight Phillips 12-24 x .50 long screws for front and rear rail attachment

■ Note

Be aware of the following issues when checking the components of your Rackmount kit:

- The Mounting shelf and adjustable Rear Mounting brackets ship fastened together at the Mounting bracket's front-most adjustment hole. This is to prevent damage during shipping. Disassemble these components prior to installation.
- The four Phillips 10-32 x .38 long screws ship in holes securing the Mounting shelf to the Rear Mounting brackets. Remove them to separate the shelf and brackets.
- The eight Phillips 12-24 x .50 long screws ship in a small plastic bag.

Rackmount kit components are depicted in Figure 1.

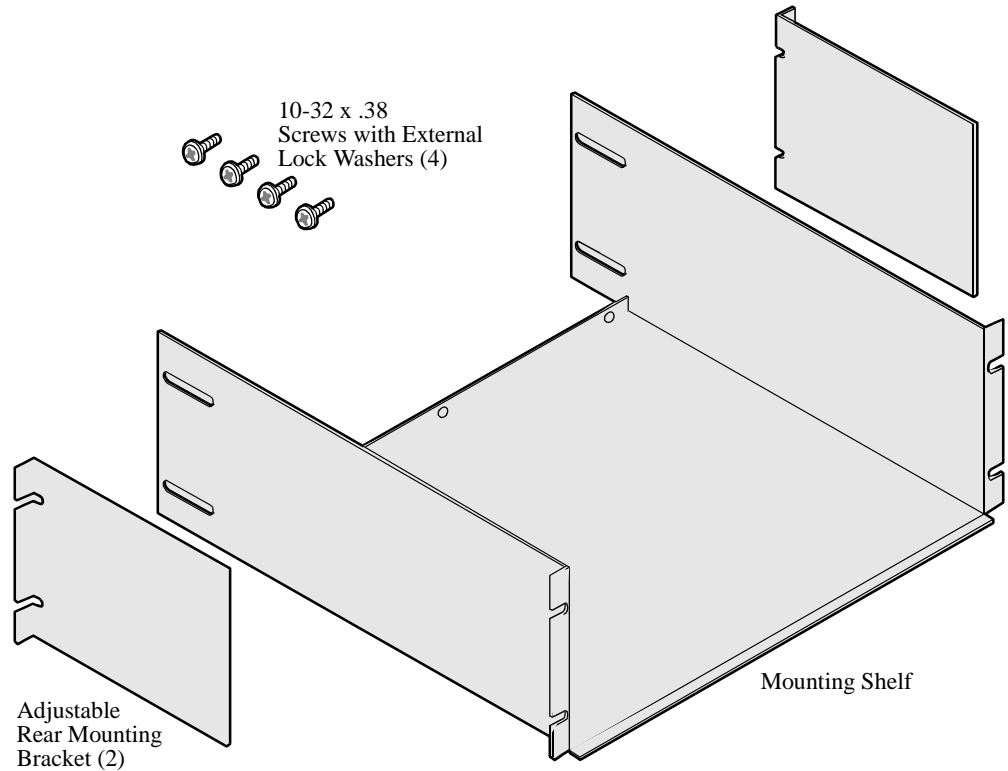


Figure 1. The PathBuilder Switch Rackmount Kit

Placement Considerations

Consider the following issues when installing your switch in an equipment rack:

Space

A switch and EIA rackmount assembly occupies 7.0 inches, or 4 U NEMA rack space increments.

Power

Allow enough room behind the EIA equipment rack to connect the power cord and devices. Refer to the *PathBuilder S24x, 26x, and 27x Switch Installation Guide* for maximum power load, when connecting to a 15 amp internal convenience power outlet strip.

Thermal

For proper ventilation, do not cover air vents at the rear of the unit. Where a front door is present on a rackmount cabinet, installation of the switch must allow a 2-inch clearance between the door and the switch air inlet to provide sufficient airflow.

Stability

When installing the switch in a non-3Com cabinet, or with other vendor's equipment, it should be positioned such that the resulting system rack remains stable during installation on a 10 degree ramp or when 56 pounds of force is applied to the top of the cabinet.

Installing the PathBuilder S24x, 26x, and 27x Switch in an Equipment Rack

Installation Procedure

To install the PathBuilder switch in an equipment rack, complete the following steps.

Step	Action
1.	Insert the Mounting shelf to the desired location in the equipment rack and secure it to the front using four 12-24 x .50 long screws.
2.	Fasten the adjustable Rear Mounting brackets at each side of the rear of the equipment rack. Use the remaining four 12-24 x .50 long screws. (Steps 3, 4, and 5 are Figure 2 and are labeled A, B, and C.) When installed correctly, the rear mounting brackets should be on the outside of the Mounting shelf.
3.	Bolt the Mounting shelf to the Rear Mounting brackets using the four 10-32 x .38 long screws, two to each side. To do this, insert the screws from inside the equipment rack, through the Mounting shelf slot, and through the appropriate adjustment hole in the Rear Mounting bracket.
4.	Facing the front panel, carefully tip the switch horizontally to your right. Insert the switch into the equipment rack, as shown in Figure 3, leaving enough room at the rear to remove the three case-fastening screws along the new bottom of the unit.
5.	Remove these screws. Then, slide the switch flush against the rear flange of the Mounting shelf and reinsert the screws through the flange and into the unit's case.

This completes installation of the switch EIA Rackmount kit. Your switch is now securely attached to the equipment rack and ready for connection to devices and power.

■ Note

Your unit is now accessible mainly from the front and will require complete removal from the rack to perform maintenance routines.

Installing the PathBuilder S24x, 26x, and 27x Switch in an Equipment Rack

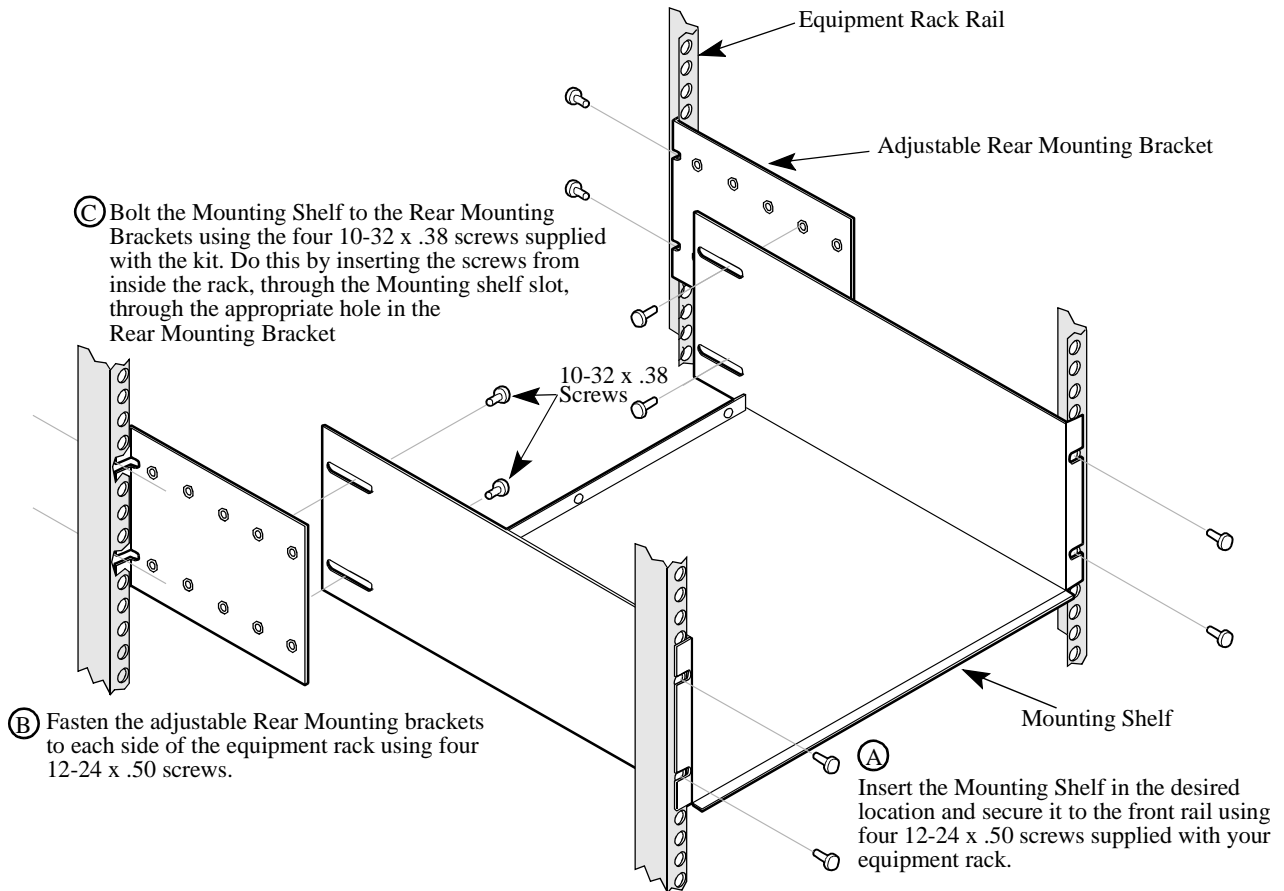


Figure 2. The PathBuilder S24x, 26x, and 27x switch Rackmount Assembly

Installing the PathBuilder S24x, 26x, and 27x Switch in an Equipment Rack

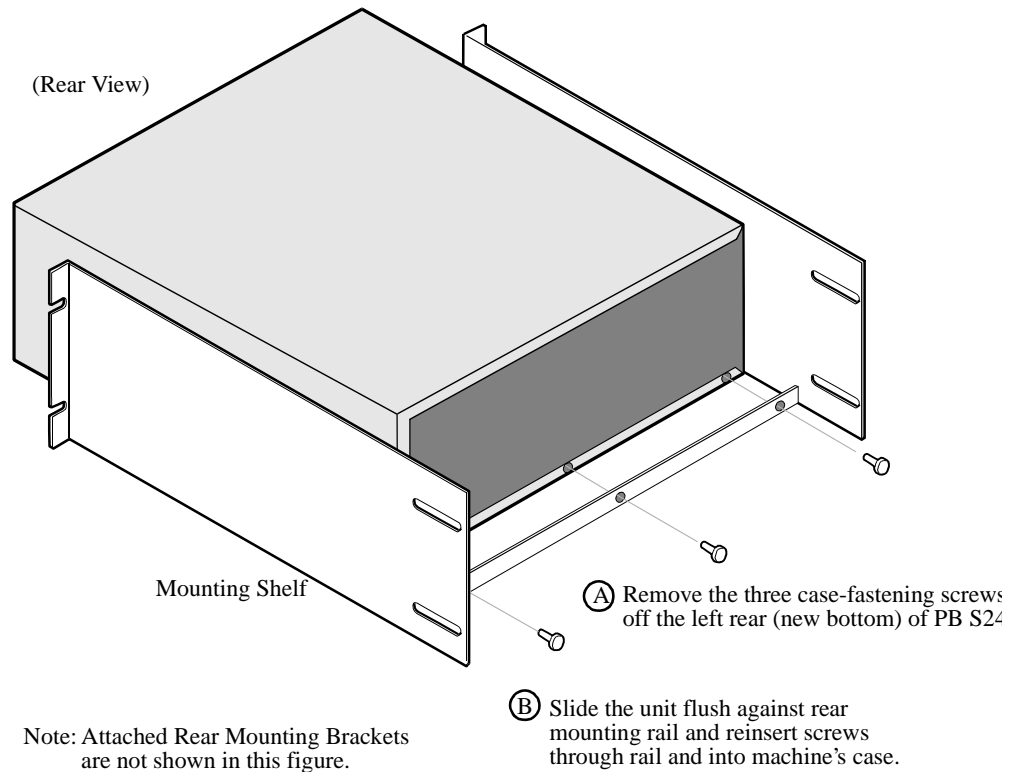


Figure 3. Installing the PathBuilder switch in Rackmount Assembly
